



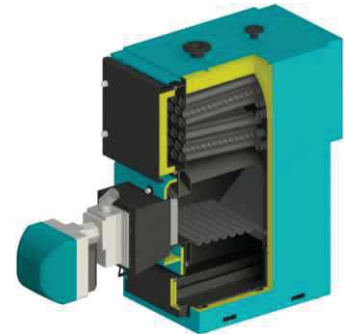
EKO-CKS P UNIT



EKO-CKS P UNIT hot water central heating boiler is designed for burning wood pellets. It consists of EKO-CKS P boiler body in welded steel design and equipment for combustion of wood pellets: **Cm Pelet-set 200-600 kW**. It is necessary to upgrade the EKO-CKS P UNIT boiler with a pellet tank (e.g. CentroPelet box), and EKO-CKS P UNIT 560 boiler's standard delivery includes cyclone and fan. Standard version is equipped with a pellet burner prearranged for automatic air-cleaning of the grate while the boiler can be additionally equipped automatic ash removal set and air-cleaning of flue passages in the boiler. Digital control manages the operations of the burner (boiler), pellet transporter and additional equipment and all mentioned parts compose a functional unit.

CHARACTERISTICS OF EKO CKS P UNIT BOILER:

- Class 5 boilers.
- Steel hot water boilers with a pellet burner with nominal heat output: 140, 180, 230, 280, 320, 430, 499, 560 kW.
- Boiler must be connected to accumulation tank (min. 10 l/kW) or hydraulic separator.
- Multifunctional digital control with colour touch screen display.
- Additional equipment: air-cleaning of flue passages, ash removal, cyclone with fan, CM2K, CAL, CM-GSM, system for monitoring the boiler operation via PC, tablet or mobile phone.
- They are meant to be installed in open or closed heating systems.
- It is possible to order a boiler with a lambda probe, EKO-CKS P-L Unit.
- The boiler is manufactured in accordance with the standards EN 303-5:2012 as well as ISO 9001:2015 and ISO 14001:2015.



Pellet tank CentroPelet box.



Pellet burner

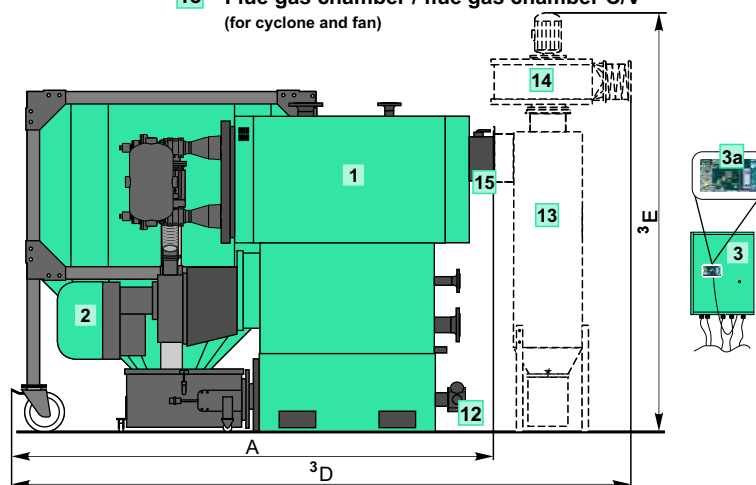
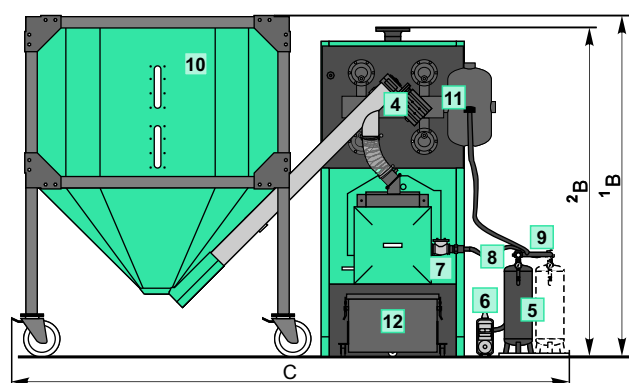


Motor with a gearbox of the pellet feeder

| EKO-CKS P UNIT | | 140 | 180 | 230 | 280 | 320 | 430 | 499 | 560 |
|--------------------------|--------|-------------------|-------------------|-------------------|-------------------|-------------------|-------------------|-------|-------|
| Depth (A) | (mm) | 2620 | 3020 | 3020 | 3330 | 3330 | 4225 | - | - |
| Height(B) | (mm) | ¹ 2105 | ¹ 2105 | ² 2105 | ² 2300 | ² 2400 | ² 2565 | - | - |
| Width (C) | (mm) | 3300 | 3300 | 3300 | 3345 | 3420 | 3900 | 3600 | 4775 |
| Depth (D) | (mm) | ³ 3265 | ³ 3650 | ³ 3650 | ³ 3985 | ³ 4160 | ³ 4690 | 5200 | 5200 |
| Visina (E) | (mm) | ³ 2210 | ³ 2210 | ³ 2210 | ³ 2580 | ³ 2725 | ³ 2895 | 2870 | 3230 |
| Connections inlet/outlet | (R)/DN | 2" | 2" | DN80 | DN80 | DN80 | DN100 | DN100 | DN100 |

BASIC DIMENSIONS

- | | | |
|--|----------------------------------|---|
| 1 - Boiler EKO-CKS P 140-560 | 6 - Compressor | 11 - Automatic boiler cleaning (additional equipment) |
| 2 - Burner CPPL 200-600 | 7 - Electromagnetic valve | 12 - Automatic ash removal (additional equipment) |
| 3 - Electrical distribution box | 8 - Air feeding tube | 13 - Cyclone CCP |
| 3a - Control unit | 9 - Air feeding tube 1 | 14 - Fan |
| 4 - Pellet transporter CPPT 200-600 | 10 - Pellet tank | 15 - Flue gas chamber ³ / flue gas chamber C/V (for cyclone and fan) |
| 5 - Expansion vessel | | |



¹EKO-CKS P Unit 140/180

²EKO-CKS P Unit 230-430

³EKO-CKS P Unit 140-430 - with cyclone and fan (additional equipment)
EKO-CKS P Unit 499-560 - with cyclone and fan (standard delivery)

⁴EKO-CKS P Unit 140-320 - expansion vessel 50 lit. - 1 kom, electromagnetic valve - 1 kom, air supply pipe - 1 kom
EKO-CKS P Unit 430-560 - expansion vessel 23 lit. - 2 kom, electromagnetic valve - 2 kom, air supply pipe - 2 kom

EKO-CKS P UNIT (140-560 kW)

| | Basic delivery | | | Obligatory additional equipment | Additional equipment |
|---------------------------|--|--|---------------|---------------------------------|--|
| | Cm Pelet-set | | Boiler | | |
| EKO-CKS P UNIT 140 | Cm Pelet-set 200: - pellet burner CPPL-200 inv (with automatic cleaning) - expansion vessel 50 lit. - compressor | - boiler control - pellet screw conveyor CPPT-200 - electromagnetic valve - air feeding tube | EKO-CKS P 150 | 42 - 140 | - automatic pneumatic cleaning system of heat exchanger flue pipes - automatic ash removal system from burner (by coil) - automatic ash removal system from flue gas chamber (by coil) - cyclone CCP 150/200, fan CVX 180 |
| EKO-CKS P UNIT 180 | | | EKO-CKS P 200 | 54 - 180 | |
| EKO-CKS P UNIT 230 | Cm Pelet-set 300: - pellet burner CPPL-300 inv (with automatic cleaning) - expansion vessel 50 lit. - air compressor | - boiler control - pellet screw conveyor CPPT-300/350 - electromagnetic valve - air feeding tube | EKO-CKS P 250 | 69 - 230 | - automatic pneumatic cleaning system of heat exchanger flue pipes - automatic ash removal system from burner (by coil) - automatic ash removal system from flue gas chamber (by coil) - cyclone CCP 250/300, fan CVX 180 |
| EKO-CKS P UNIT 280 | | | EKO-CKS P 300 | 84 - 280 | |
| EKO-CKS P UNIT 320 | Cm Pelet-set 350: - pellet burner CPPL-350 inv (with automatic cleaning) - expansion vessel 50 lit. - air compressor | - boiler control - pellet screw conveyor CPPT-300/350 - electromagnetic valve - air feeding tube | EKO-CKS P 380 | 96 - 320 | - pellet tank - boiler outlet protection with a motor operated 3-way mixing valve and boiler pump |
| EKO-CKS P UNIT 430 | Cm Pelet-set 600: - pellet burner CPPL-600 inv (with automatic cleaning) - 2 pcs of expan. vessel 23 lit. - air compressor - boiler control | - pellet screw conveyor CPPT-600 - 2 pcs of electromag. valve - air feeding tube - air feeding tube 1 | EKO-CKS P 500 | 129 - 430 | - accumulation tank (min 10 l/kW) or hydraulic crossover - automatic pneumatic cleaning system of heat exchanger flue pipes - automatic ash removal system from burner (by coil) - automatic ash removal system from flue gas chamber (by coil) - cyclone CCP 500, fan CVX 200 |
| EKO-CKS P UNIT 499 | Cm Pelet-set 600: - pellet burner CPPL-600 inv (with automatic cleaning) - 2 pcs of expan. vessel 23 lit. - air compressor - boiler control - pellet screw conveyor CPPT-600 | - 2 pcs of electromag.valve - air feeding tube - air feeding tube 1 - cyclone, fan CVX200 | EKO-CKS P 550 | 149 - 499 | - automatic pneumatic cleaning system of heat exchanger flue pipes - automatic ash removal system from burner (by coil) - automatic ash removal system from flue gas chamber (by coil) |
| EKO-CKS P UNIT 560 | Cm Pelet-set 600: - pelet plamenik CPPL-600 inv (sa automatskim čišćenjem) - 2 posude pod tlakom 23 lit. - kompresor - kotlovska regulacija - pelet transporter CPPT-600 | - 2 elektromag. ventila - air feeding tube - air feeding tube 1 - cyclone, fan CVX200 | EKO-CKS P 600 | 168 - 560 | |

Other additional equipment (all outputs):

- safety elements set of min/max pressure, cascade manager CMNET, communication module CM-GSM, alarm module CAL, CM2K-B module for steering 2 heating circuits using outdoor temperature (max. 4x CM2K), supply transporters from other storages, pellet silos